



MCX BRUSHLESS  
SMALL BODY – BIG HEART

MCX BRUSHLESS

## SMALL BODY – BIG HEART

---

Bien-Air has positioned itself as the world leader in electric micromotors. And this has not happened by chance. Some models have even revolutionised modern dental techniques. Power, high torque, absence of vibration and reliability... the assets that make Bien-Air micromotors so unique.

We are particularly proud of our new arrival: MCX, the first brushless micromotor to offer perfect speed control at a constant torque, and at a very competitive price.

Based on the Smart Logic technology already used on the MX and MX2, the MCX's unrivalled performance/reliability/price ratio really sets it apart.

The MCX now offers all practitioners the benefits that were previously only available to a few:

- STERILISATION
- ADJUSTABLE LED LIGHT
- ULTRA-LIGHT AND ULTRA-COMPACT
- MICRO-SERIES COMPATIBLE
- PERFECT SPEED CONTROL AT A CONSTANT TORQUE
- STEPLESS, VIBRATION-FREE ROTATION
- MAINTENANCE-FREE
- EXCEPTIONAL RELIABILITY



3



#### SMART LOGIC

The most high-precision control ever obtained with a micromotor. Cutting-edge electronics offer perfect, smooth control of the torque and rotation speed and the bur position.



#### MICRO-SERIES

The Bien-Air Micro-Series brings together the new range of Bien-Air contra-angles and handpieces with the new generation of micromotors with LED light. Lighter and more compact, the Micro-Series combinations offer exceptional grip and balance.



#### QUALITY LED

Bien-Air is setting new standards in the field of LED lighting. Adjustable intensity from 0 to 38,000 lux, perfectly white and natural light, service life up to 10 times longer than that of a traditional bulb, no overheating, exceptional resistance to sterilisation.



#### CARE FREE

Thanks to its lifetime-lubricated ball bearings, your micromotor no longer needs lubricating after each use. This is because it always has the optimal amount of oil, which makes it quicker to start using and reduces maintenance costs.



#### GOLD CONNECT

Bien-Air equips its instruments with gold-plated electrical contacts. This provides excellent electrical conductivity and improved resistance to oxidation.



#### SWISS-MADE

Only the most sophisticated techniques and the best materials allow the best products to be created. Bien-Air products are designed and manufactured in the heart of Watch Valley in Switzerland. After manufacture, Bien-Air products undergo individual testing.

MCX BRUSHLESS

# THE ADVANTAGES OF BRUSHLESS TECHNOLOGY AVAILABLE TO ALL

- 
- AUTOCLAVABLE
  - NO WEAR
  - LONGEVITY
  - LOW MAINTENANCE COSTS
  - ULTRA-PRECISE CONTROL
  - STEPLESS, VIBRATION-FREE
  - HIGH AND CONSTANT TORQUE
  - ENDO APPLICATIONS POSSIBLE (MX, MX2)



The MCX is the smallest brushless micromotor ever designed by Bien-Air. However, it still offers the same quality of speed control as the famed MX2 and MX.



5

UP TO 40% SHORTER  
AND 33% LIGHTER

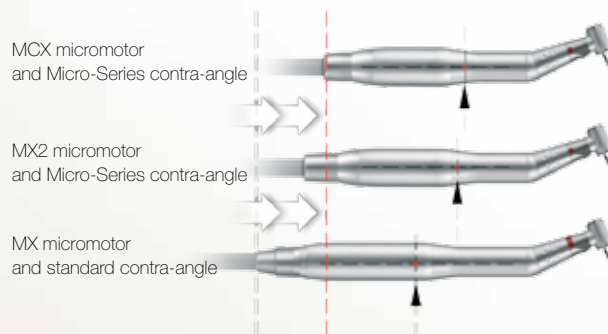
PERFECT POWER CONTROL

micro  
SERIES

The MCX with adjustable LED light is the smallest and lightest brushless micromotor ever designed by Bien-Air. Use it with the new Bien-Air Micro-Series instruments for a micromotor/instrument assembly that's even smaller than a turbine, guaranteeing unbeatable performance.

The MCX is a unique brushless micromotor. Thanks to its Smart Logic electronic control, the power is automatically regulated, adapting immediately to variations in pressure. This means the MCX delivers precise, constant power without the slightest jolt.

With the MCX and Micro-Series you benefit from unprecedented grip and balance, guaranteeing more precise control and less fatigue at the end of the day. Why go without?



## SWISS MADE AND MAINTENANCE-FREE

To ensure the micromotor offers a longer service life, the DMCX electronic control has built-in automatic regulation to prevent overheating. The MCX's motor phases and light output are protected against short circuits.

Just like its big brother, the MX2 micromotor, the MCX micromotor is designed to withstand the harshest treatment. Superior expertise in brushless technology combined with the very strictest manufacturing processes are a given.

Thanks to its ball-bearings, which are lubricated for life, the MCX is sterilisable and yet maintenance-free. The result is even better hygiene and usage conditions, combined with very low maintenance costs.

## A COMPLETE SYSTEM

To allow the MCX to be easily integrated with all types of units, the MCX's electronic control is equipped with electric and pneumatic inputs and a digital communication protocol. In addition, the DMCX electronic control is able to independently control two micromotors.



# TECHNICAL DATA



	MCX LED	MCX
Reference	1600751-001	1600780-001
Speed range	1,000–40,000 rpm	1,000–40,000 rpm
Max. torque	2.5 Ncm	2.5 Ncm
Torque control	NO	NO
Dimensions	Ø 21 x 42 mm	Ø 21 x 42 mm
Weight	78 g	78 g
Endodontic functions	NO	NO
Interfaces	RS-232, analog I/O	RS-232, analog I/O
Light	LED	–
Autoclavable	YES	YES
Hose mounting/rotation	Screw / 0°	Screw / 0°
Warranty	24 months	24 months

	MX2 LED	MX
Reference	1600677-011	1600375-001
Speed range	100–40,000 rpm	100–40,000 rpm
Max. torque	3.5 Ncm	3.5 Ncm
Torque control	YES	YES
Dimensions	Ø 21 x 50 mm	Ø 21 x 69 mm
Weight	90 g	115 g
Endodontic functions	YES	YES
Interfaces	RS-232, analog I/O	RS-232, analog I/O
Light	LED	Bulb
Autoclavable	YES	YES
Hose mounting/rotation	Screw / ±200°	Quick-connect coupling / 360°
Warranty	24 months	24 months

## MCX LED and MCX accessories

MCX hose (standard length 2.1 m)	Ref. 1600756-001
DMCX electronic control unit	Ref. 1600811-001
Converter, 24 Vac/32 Vdc-24 Vdc	Ref. 1500580-001
PL DMS relay	Ref. 1500554-001

Sets	DMCX LED	DMCX
For 1 micromotor	Ref. 1700427-001	Ref. 1700431-001
For 1 micromotor (with converter)	Ref. 1700428-001	Ref. 1700432-001
For 2 micromotors	Ref. 1700429-001	Ref. 1700433-001
For 2 micromotors (with converter)	Ref. 1700430-001	Ref. 1700434-001

Bien-Air Dental SA  
Länggasse 60  
2500 Bienne 6, Switzerland  
Tel. +41 (0)32 344 64 64  
Fax +41 (0)32 344 64 91  
dental@bienair.com

Bien-Air  
Deutschland GmbH  
Jechtinger Strasse 11  
79111 Freiburg, Deutschland  
Tel. +49 (0)761 45 57 40  
Fax +49 (0)761 47 47 28  
ba-d@bienair.com

Bien-Air España SA  
Entença, 169 Bajos  
08029 Barcelona, España  
Tel. (+34) 934 25 30 40  
Fax (+34) 934 23 98 60  
ba-e@bienair.com

Bien-Air USA, Inc.  
Medical Technologies  
5 Corporate Park  
Suite 160  
Irvine, CA 92606, USA  
Phone 1-800-433-BIEN  
Phone 949-477-6050  
Fax 949-477-6051  
ba-usa@bienair.com

Bien-Air France Sarl  
55-57, avenue Jean Lolive  
93508 Pantin Cedex, France  
Tel. +33 (0)1 41 83 60 70  
Fax +33 (0)1 48 96 07 40  
ba-f@bienair.com

Bien-Air on Internet:  
www.bienair.com

Bien-Air Italia s.r.l.  
Via Vaina 3  
20122 Milano, Italia  
Tel. +39 (02) 58 32 12 51/52/54  
Fax +39 (02) 58 32 12 53  
ba-i@bienair.com

Bien-Air UK Limited  
Arundel House  
Unit 1 - Ground Floor  
Amberley Court, Whitworth Road  
Crawley, West Sussex, RH11 7XL  
England  
Tel. +44 (0)1293 550 200  
Fax +44 (0)1293 520 481  
ba-uk@bienair.com

Bien-Air Asia Ltd.  
Nishi-Ikebukuro  
Daiichi-Seimei Bldg. 10F  
2-40-12 Ikebukuro, Toshimaku  
Tokyo, 171-0014, Japan  
ビエン・エア・アジア株式会社 (製造販売元)  
〒171-0014  
東京都豊島区池袋2-40-12  
西池袋第一生命ビルディング10F  
Tel. +81 (3) 5954-7661  
Fax +81 (3) 5954-7660  
ba-asia@bienair.com

Beijing Bien-Air  
Medical Instrument  
Technology Service Co. Ltd.  
Room 907, The Exchange Beijing,  
No 118 Jian Guo Lu Yi,  
Chao Yang District,  
Beijing 100022, China  
北京彼岸医疗器械  
技术服务有限公司  
北京市朝阳区建国路  
乙118号招商局中心  
京汇大厦907室  
电话 +86 10 6567 0651  
传真 +86 10 6567 8047  
ba-beijing@bienair.com